

Screw Gauge

KS/PHY/SG

Manual, least count 0.01mm, size 25x1/100mm, Stainless Steel, measuring range 25mm



Designed & Manufactured by:

Kalpana Scientific Pvt.Ltd.

Konnagar, West Bengal-712235, India

Tel. 7679774297 website: www.kalpanascientific.com

Email id : kalpanascientifickolkata@gmail.com



Spherometer

KS/PHY/SM

Brass dial head 40 mm in diameter, divided and marked in 100 divisions. Vertical scale of 10-0-10 mm. Fitted on tripod stand, distance between legs 40 mm.



Designed & Manufactured by:

Kalpana Scientific Pvt.Ltd.

Konnagar, West Bengal-712235, India

Tel. 7679774297 website: www.kalpanascientific.com

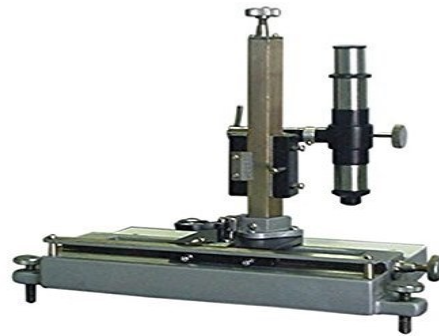
Email id : kalpanascientifickolkata@gmail.com



Travelling microscope Vertical and horizontal movement

KS/PHY/TMV&HM

Vertical and horizontal movement, portable, Horizontal scale: 18 cm divided at 1mm interval, Vertical scale: 16cm divided at 1mm interval, Screw gauge dial: 100 divisions with a least count of 0.01mm , 10X Ramsden Eyepiece with fine cross wire, focal length 25 cm



Designed & Manufactured by:

Kalpana Scientific Pvt.Ltd.

Konnagar, West Bengal-712235, India

Tel. 7679774297 website: www.kalpanascientific.com

Email id : kalpanascientifickolkata@gmail.com



Compound Pendulum

KS/PHY/CM

It consists of a powder coated steel bar of dimension $100 \times 3.75 \times 0.6$ cm with a number of equidistant holes drilled along its length at equal intervals of 5 cm. The pendulum is provided with two removable knife edges passing through any one of the holes. Complete set up.



Designed & Manufactured by:

Kalpna Scientific Pvt.Ltd.

Konnagar, West Bengal-712235, India

Tel. 7679774297 website: www.kalpanascientific.com

Email id : kalpanascientifickolkata@gmail.com



Vernier Calipers

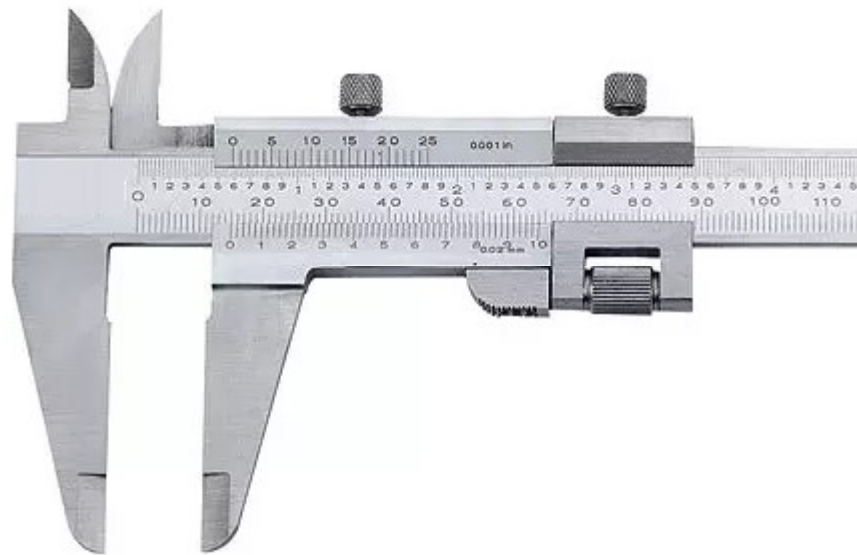
KS/PHY/VC

Measuring Range: 0-150 millimetre or 0-6 inch

Resolution: 0.01 millimetre or 0.0005 inch.

Repeatability: 0.01 millimetre or 0.0005 inch.

Maximum measurement speed: 1m/s



Designed & Manufactured by:

Kalpana Scientific Pvt.Ltd.

Konnagar, West Bengal-712235, India

Tel. 7679774297 website: www.kalpanascientific.com

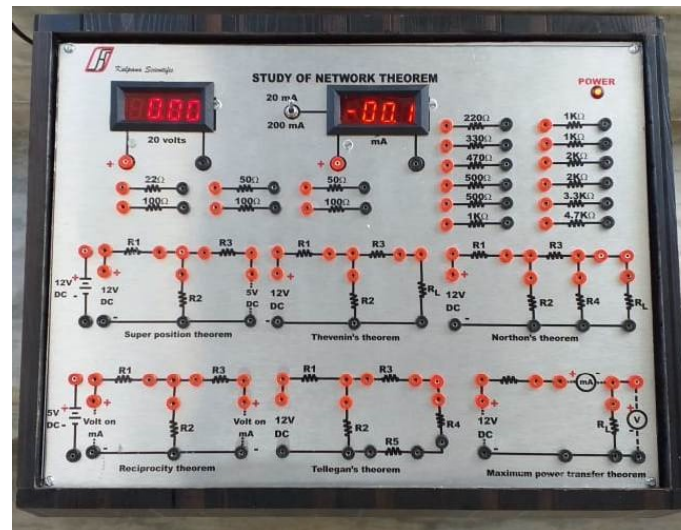
Email id : kalpanascientifickolkata@gmail.com



Network Theorem: Mounted on a Board with Sufficient Connecting Wires

KS/ELE/NT

Complete set up mounted on a board with sufficient connecting wires with the aim to “study the Thevenin theorem, Norton`s theorem and maximum power transfer theorem”.



Designed & Manufactured by:

Kalpana Scientific Pvt.Ltd.

Konnagar, West Bengal-712235, India

Tel. 7679774297 website: www.kalpanascientific.com

Email id : kalpanascientifickolkata@gmail.com



LCR Resonance Circuit: Mounted on a Board with Sufficient Connecting Wires

KS/ELE/LCR

Complete set up mounted on a board with sufficient connecting wires with the aim “to study the LCR resonance circuit.



Designed & Manufactured by:

Kalpana Scientific Pvt.Ltd.

Konnagar, West Bengal-712235, India

Tel. 7679774297 website: www.kalpanascientific.com

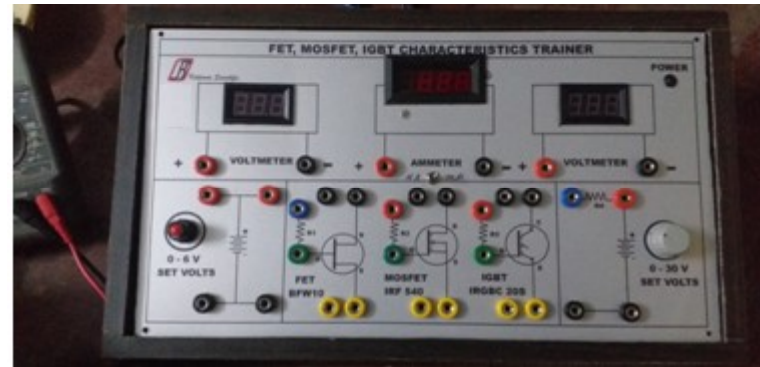
Email id : kalpanascientifickolkata@gmail.com



JFET: Complete Set Up Mounted on a Board with Sufficient Connecting Wires

KS/ELE/JFET

Complete set up mounted on a board with sufficient connecting wires with the aim “to study the drain characteristics of a JFET.



Designed & Manufactured by:

Kalpana Scientific Pvt.Ltd.

Konnagar, West Bengal-712235, India

Tel. 7679774297 website: www.kalpanascientific.com

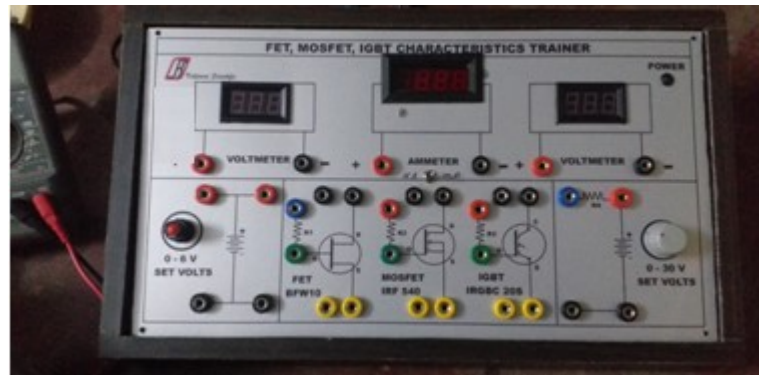
Email id : kalpanascientifickolkata@gmail.com



MOSFET: Mounted on a Board with Sufficient Connecting Wires

KS/ELE/MOSFET

Complete set up mounted on a board with sufficient connecting wires with the aim “to study the drain characteristics of a MOSFET”.



Designed & Manufactured by:

Kalpana Scientific Pvt.Ltd.

Konnagar, West Bengal-712235, India

Tel. 7679774297 website: www.kalpanascientific.com

Email id : kalpanascientifickolkata@gmail.com



P/N junction diode: Mounted on a Board with Sufficient Connecting Wires

KS/PHY/PN

Complete set up mounted on a board with sufficient connecting wires with the aim “to study the forward and reverse characteristics of a P/N junction diode”.



Designed & Manufactured by:

Kalpana Scientific Pvt.Ltd.

Konnagar, West Bengal-712235, India

Tel. 7679774297 website: www.kalpanascientific.com

Email id : kalpanascientifickolkata@gmail.com



DSO 50 MHz,2 channel: with BNC cable

KS/MIS/DSO

- Complete set up with the aim “Bandwidth : 50 MHz, 2 Channel, 7 inch High Resolution LCD, SCPI and Lab View supported, Sample Rate : 1 GSA/s, Ultra-thin body”.



Designed & Manufactured by:
Kalpna Scientific Pvt.Ltd.
Konnagar, West Bengal-712235, India
Tel. 7679774297 website: www.kalpanascientific.com
Email id : kalpanascientifickolkata@gmail.com



Stop Watch (Analog)

KS/MIS/SWA

Mechanical (Without battery operation) Precision $1/100^{\text{th}}$ of a second
Shock Resistant body



Designed & Manufactured by:

Kalpana Scientific Pvt.Ltd.

Konnagar, West Bengal-712235, India

Tel. 7679774297 website: www.kalpanascientific.com

Email id : kalpanascientifickolkata@gmail.com



Stop Watch (Digital)

KS/MIS/SWD

Digital Precision 1/100th of a second, Plastic Material, battery (Non-rechargeable)
Backlight, Time Format 12 and 24 hr.



Designed & Manufactured by:

Kalpana Scientific Pvt.Ltd.

Konnagar, West Bengal-712235, India

Tel. 7679774297 website: www.kalpanascientific.com

Email id : kalpanascientifickolkata@gmail.com



Spring Constant: With Varying Weights

KS/PHY/SCWVW

Complete set up with varying weights with the aim “To determine the force constant of a flat spiral spring by statical method”.



Designed & Manufactured by:

Kalpana Scientific Pvt.Ltd.

Konnagar, West Bengal-712235, India

Tel. 7679774297 website: www.kalpanascientific.com

Email id : kalpanascientifickolkata@gmail.com



Helmholtz Galvanometer Method: With Sufficient Connecting Wires *KS/PHY/HG*

Complete set up with sufficient connecting wires with the aim "To measure the spatial distribution of the magnetic field between a pair of identical coils in Helmholtz arrangement with power supply, digital gauss meter, two coils of minimum diameter 150 mm, support base, support rod, deflection compass, digital millimeter".



Designed & Manufactured by:
Kalpana Scientific Pvt.Ltd.
Konnagar, West Bengal-712235, India
Tel. 7679774297 website: www.kalpanascientific.com
Email id : kalpanascientifickolkata@gmail.com



Young`s modulus by Searle`s Method: With Sufficient Connecting Wires

KS/PHY/YMBSM

Complete set up with sufficient connecting wires with the aim “to determine the young`s modulus, modulus of rigidity, and poison`s ratio for the material of a wire by Searle`s method”.



Designed & Manufactured by:

Kalpana Scientific Pvt.Ltd.

Konnagar, West Bengal-712235, India

Tel. 7679774297 website: www.kalpanascientific.com

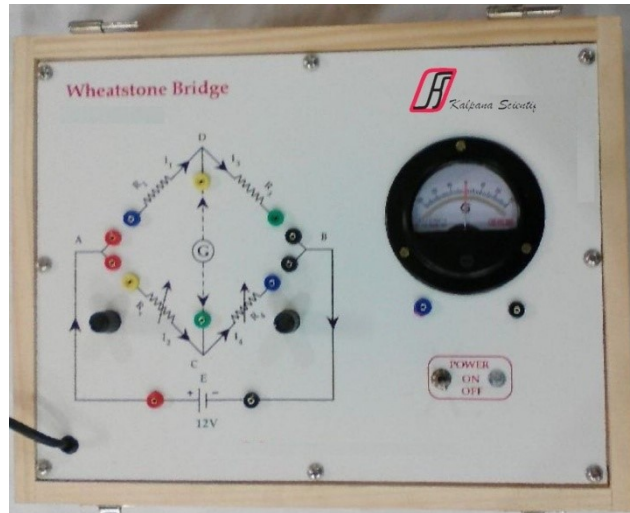
Email id : kalpanascientifickolkata@gmail.com



Wheat Stone Bridge: Mounted on a Board with Sufficient Connecting Wires

KS/ELE/WHTB

Complete set up mounted on a board with sufficient connecting wires with aim “To determine the unknown resistance by wheat stone bridge”.



Designed & Manufactured by:

Kalpana Scientific Pvt.Ltd.

Konnagar, West Bengal-712235, India

Tel. 7679774297 website: www.kalpanascientific.com

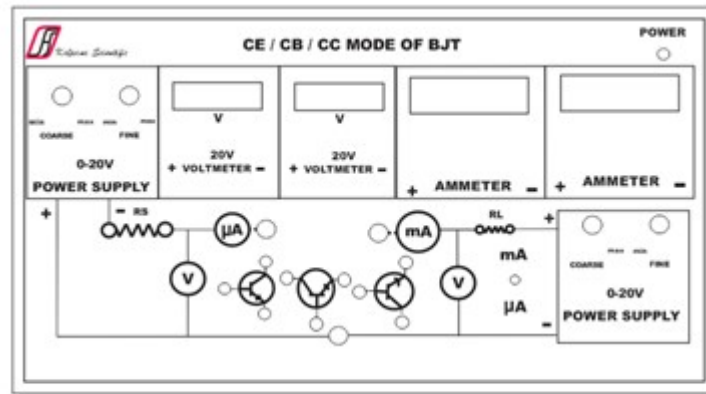
Email id : kalpanascientifickolkata@gmail.com



Fixed Bias and Voltage divider CE Mode: Mounted on a Board with Sufficient Connecting Wires

KS/ELE/FBVDCE

Complete set up mounted on a board with sufficient connecting wires with the aim “To study the static characteristics of a transistor in fixed bias and voltage divider CE mode”.



Designed & Manufactured by:

Kalpana Scientific Pvt.Ltd.

Konnagar, West Bengal-712235, India

Tel. 7679774297 website: www.kalpanascientific.com

Email id : kalpanascientifickolkata@gmail.com



Table: Length 6 feet X Width 3 feet X Height 3 feet

Metallic frame with powder coating for corrosion resistance. Wooden top with solid wood of thickness 1 inch and chemical resistant coating. Length 6ft x width 3ft x height 3ft. Load bearing capacity 1000 kg.



Designed & Manufactured by:

Kalpana Scientific Pvt.Ltd.

Konnagar, West Bengal-712235, India

Tel. 7679774297 website: www.kalpanascientific.com

Email id : kalpanascientifickolkata@gmail.com

Stool: Height 2feet(fixed) static

KS/MIS/STO

Square shaped, four legs, wooden, thickness of the top 1 inch. Height 3ft, Load bearing capacity =200 kg.



Designed & Manufactured by:

Kalpana Scientific Pvt.Ltd.

Konnagar, West Bengal-712235, India

Tel. 7679774297 website: www.kalpanascientific.com

Email id : kalpanascientifickolkata@gmail.com



Computer with Printer and UPS for Physics Laboratory

KS/MIS/PCSET

Processor (13th generation i5) Hard drive 2 TB, RAM 8 GB, DDR4, Display 60.5 an full HD (1920 x 1080), CPU: Intel, OS:- Windows 11 Home, UPS:- 1KVA, Printer: Laser Print.



Designed & Manufactured by:

Kalpana Scientific Pvt.Ltd.

Konnagar, West Bengal-712235, India

Tel. 7679774297 website: www.kalpanascientific.com

Email id : kalpanascientifickolkata@gmail.com



Hot Plate With Magnetic Stirrer

KS/ME/HPWMS

- Top Plate Material: Ceramic or stainless steel
- Top Plate Dimensions: 7 x 7 inches or similar
- Temperature Range: Ambient to 500°C
- Temperature Accuracy: $\pm 1^{\circ}\text{C}$
- Temperature Control: Digital display with PID control
- Heating Power: 500-1000 Watts
- Stirring Speed Range: 100 to 1500 RPM
- Stirring Capacity: Up to 5 liters
- Stirring Mechanism: Magnetic, with adjustable speed control
- Safety Features: Overheat protection, hot surface warning indicator
- Display: Digital LCD for temperature and speed
- Control Type: Separate controls for heating and stirring
- External Temperature Sensor: Included (PT100 or K-type thermocouple)
- Housing Material: Chemical-resistant, durable plastic or metal
- Power Supply: 220-240V, 50/60Hz



Designed & Manufactured by:

Kalpana Scientific Pvt.Ltd.

Konnagar, West Bengal-712235, India

Tel. 7679774297 website: www.kalpanascientific.com

Email id : kalpanascientifickolkata@gmail.com



Bench top pH Meter

KS/MIS/BTPH

pH Range: 0 to 14

pH Accuracy: ± 0.01 pH

Temperature Range: 0 to 100°C

Temperature Accuracy: ± 0.5 °C

Display: Large LCD or LED

Calibration: 2 or 3 point automatic calibration

Temperature Compensation: Automatic or manual

Electrode: Combination pH electrode with temperature sensor

Connectivity: USB or RS232 for data transfer

Power Supply: AC adapter



Designed & Manufactured by:

Kalpana Scientific Pvt.Ltd.

Konnagar, West Bengal-712235, India

Tel. 7679774297 website: www.kalpanascientific.com

Email id : kalpanascientifickolkata@gmail.com



Handheld pH Meter

- pH Range: 0 to 14
- pH Accuracy: ± 0.01 pH
- Temperature Range: 0 to 60°C
- Temperature Accuracy: ± 0.5 °C
- Display: Digital LCD
- Calibration: 2 or 3 point automatic calibration
- Temperature Compensation: Automatic
- Electrode: Combination pH electrode with temperature sensor
- Power Supply: Batteries (rechargeable preferred)



Designed & Manufactured by:

Kalpana Scientific Pvt.Ltd.

Konnagar, West Bengal-712235, India

Tel. 7679774297 website: www.kalpanascientific.com

Email id : kalpanascientifickolkata@gmail.com

KS/MIS/SB2.5L

Sonicator Bath (2.5 liters)

- Capacity: 2.5 liters
- Ultrasonic Power: 100-150 Watts
- Frequency: 35-45 kHz
- Temperature Range: Ambient to 80°C
- Timer: Up to 99 minutes
- Display: Digital display for temperature and time
- Material: Stainless steel tank
- Drainage System: Built-in (preferred)
- Power Supply: 220-240V, 50/60Hz



Designed & Manufactured by:

Kalpana Scientific Pvt.Ltd.

Konnagar, West Bengal-712235, India

Tel. 7679774297 website: www.kalpanascientific.com

Email id : kalpanascientifickolkata@gmail.com



Vacuum Pump

KS/MIS/VP

- Type: Rotary vane or diaphragm pump
- Ultimate Vacuum: ≤ 10 mbar
- Flow Rate: ≥ 20 L/min
- Power: 220-240V, 50/60Hz
- Material: Corrosion-resistant materials for wetted parts
- Noise Level: ≤ 60 dB
- Safety Features: Overload protection



Designed & Manufactured by:

Kalpana Scientific Pvt.Ltd.

Konnagar, West Bengal-712235, India

Tel. 7679774297 website: www.kalpanascientific.com

Email id : kalpanascientifickolkata@gmail.com



Double Distillation Unit (2.5 LPH Output)

KS/MIS/DDU2.5LPH

- Output Capacity: 2.5 liters per hour
- Water softener : high quality water softener shall be supplied.
- Material: All quartz for boiler and condenser
- Power: 220-240V, 50/60Hz
- Heating Element: Quartz immersion heater
- Safety Features: Overheat protection, low water cut-off
- Water Quality: Conductivity $\leq 1 \mu\text{S/cm}$



Designed & Manufactured by:

Kalpana Scientific Pvt.Ltd.

Konnagar, West Bengal-712235, India

Tel. 7679774297 website: www.kalpanascientific.com

Email id : kalpanascientifickolkata@gmail.com



Weighing Balance

KS/MIS/WB

- Capacity: 0.1 mg to 220 g
- Readability: 0.01 mg to 0.1 mg
- Pan Size: ≥ 80 mm diameter
- Display: Digital LCD with backlight
- Calibration: Internal/automatic calibration
- Stabilization Time: ≤ 3 seconds
- Draft Shield: Included
- Power Supply: AC adapter



Designed & Manufactured by:

Kalpana Scientific Pvt.Ltd.

Konnagar, West Bengal-712235, India

Tel. 7679774297 website: www.kalpanascientific.com

Email id : kalpanascientifickolkata@gmail.com



Benchtop EC Meter

KS/MIS/BTECM

- Conductivity Range: 0.01 $\mu\text{S}/\text{cm}$ to 200 mS/cm
- Conductivity Accuracy: $\pm 0.5\%$ full scale
- Temperature Range: 0 to 100°C
- Temperature Accuracy: $\pm 0.5^\circ\text{C}$
- Display: Digital LCD
- Calibration: Automatic or manual, multi-point
- Temperature Compensation: Automatic
- Electrode: Conductivity cell with temperature sensor
- Connectivity: USB or RS232 for data transfer
- Power Supply: AC adapter



Designed & Manufactured by:

Kalpana Scientific Pvt.Ltd.

Konnagar, West Bengal-712235, India

Tel. 7679774297 website: www.kalpanascientific.com

Email id : kalpanascientifickolkata@gmail.com



Joule's Calorimeter with Thermometer

KS/PHY/JCWT

- Material: Copper inner vessel with insulating outer jacket
- Dimensions: Inner vessel diameter of approximately 7-10 cm, height of 10-15 cm
- Capacity: Approximately 200-300 ml
- Stirring Mechanism: Manual stirrer included
- Insulation: High-quality insulating material to minimize heat loss.
- Lid: Well-fitted lid with openings for thermometer and stirrer.

I.Type: Digital alcohol glass thermometer

II.Temperature Range: -10°C to 110°C

III.Accuracy: $\pm 0.1^{\circ}\text{C}$ for digital, $\pm 0.5^{\circ}\text{C}$ for alcohol

IV.Resolution: 0.1°C for digital thermometer

V.Stem Length: 15-30 cm, suitable for insertion into the calorimeter

VI.Scale: Clear, easy-to-read markings for glass thermometers

VII.Safety: Shatter-resistant casing for glass thermometers

Ease of Use: Simple setup and operation, suitable for educational purposes

Durability: Made from durable materials to withstand repeated use Calibration: Factory

calibrated for accurate measurements Instructions: Detailed user manual included



Designed & Manufactured by:

Kalpana Scientific Pvt.Ltd.

Konnagar, West Bengal-712235, India

Tel. 7679774297 website: www.kalpanascientific.com

Email id : kalpanascientifickolkata@gmail.com



Handheld EC Meter

KS/MIS/HHECM

- Conductivity Range: 0.01 $\mu\text{S}/\text{cm}$ to 20 mS/cm
- Conductivity Accuracy: $\pm 1\%$ full scale
- Temperature Range: 0 to 50°C
- Temperature Accuracy: $\pm 0.5^\circ\text{C}$
- Display: Digital LCD
- Calibration: Automatic, single-point or multi-point
- Temperature Compensation: Automatic
- Electrode: Conductivity cell with temperature sensor
- Power Supply: Batteries (rechargeable preferred)



Designed & Manufactured by:

Kalpana Scientific Pvt.Ltd.

Konnagar, West Bengal-712235, India

Tel. 7679774297 website: www.kalpanascientific.com

Email id : kalpanascientifickolkata@gmail.com



BOD (Biochemical Oxygen Demand) Incubator

KS/MIS/BOD

- Capacity: 30 to 300 liters
- Temperature Range: 5°C to 60°C
- Temperature Accuracy: $\pm 0.1^{\circ}\text{C}$
- Temperature Uniformity: $\pm 0.5^{\circ}\text{C}$
- Temperature Control: Digital PID controller
- Display: Digital LED/LCD for temperature and timer
- Interior Material: Stainless steel
- Exterior Material: Powder-coated mild steel or stainless steel
- Shelves: Adjustable and removable stainless steel shelves
- Cooling System: Hermetically sealed compressor with CFCfree refrigerant
- Air Circulation: Forced air circulation for uniform temperature distribution
- Insulation: High-density polyurethane foam
- Door: Double door with inner glass door for viewing without temperature fluctuation
- Alarm: Audio and visual alarm for temperature deviation
- Timer: Programmable timer (0-999 hours)
- Safety Features: Over-temperature protection, door open alarm
- Power Supply: 220-240V, 50/60Hz



Designed & Manufactured by:

Kalpana Scientific Pvt.Ltd.

Konnagar, West Bengal-712235, India

Tel. 7679774297 website: www.kalpanascientific.com

Email id : kalpanascientifickolkata@gmail.com



COD (Chemical Oxygen Demand) Digester

KS/MIS/COD

- Capacity: 15 to 25 vials, 20 ml each
- Temperature Range: Ambient to 200°C
- Temperature Accuracy: $\pm 1^\circ\text{C}$
- Temperature Control: Digital PID controller
- Timer: Programmable, up to 999 minutes
- Display: Digital LCD for temperature and time
- Heating Block: Aluminum alloy or stainless steel, corrosion- resistant
- Safety Features: Over-temperature protection, auto-shutoff
- Construction: Double-walled, insulated exterior
- Vial Holders: Chemical-resistant, compatible with standard COD vials
- Power Supply: 220-240V, 50/60Hz



Designed & Manufactured by:

Kalpana Scientific Pvt.Ltd.

Konnagar, West Bengal-712235, India

Tel. 7679774297 website: www.kalpanascientific.com

Email id : kalpanascientifickolkata@gmail.com



Hot Air Oven

KS/MIS/HAO

- Capacity: 250 liters
- Temperature Range: Ambient to 250°C
- Temperature Accuracy: $\pm 1^{\circ}\text{C}$
- Temperature Control: Digital PID controller
- Construction: Double-walled, with inner chamber made of stainless steel
- Air Circulation: Forced air circulation for uniform temperature distribution
- Safety Features: Overheat protection, timer
- Power Supply: 220-240V, 50/60Hz



Designed & Manufactured by:

Kalpana Scientific Pvt.Ltd.

Konnagar, West Bengal-712235, India

Tel. 7679774297 website: www.kalpanascientific.com

Email id : kalpanascientifickolkata@gmail.com



Manometer

KS/MIS/MANO

- Type: Digital or analog
- Measurement Range: ± 1000 Pa to ± 10000 Pa
- Accuracy: $\pm 0.5\%$ full scale
- Display: Digital LCD for digital type
- Connection Ports: Suitable for various tube sizes
- Material: Corrosion-resistant materials for wetted parts
- Power Supply: Batteries for digital type



Designed & Manufactured by:

Kalpna Scientific Pvt.Ltd.

Konnagar, West Bengal-712235, India

Tel. 7679774297 website: www.kalpanascientific.com

Email id : kalpanascientifickolkata@gmail.com



Digital Thermometer

Digital thermometer with K type wire

- Temperature Range: -50°C to 1300°C
- Temperature Accuracy: $\pm 0.5\% \pm 2^\circ\text{C}$
- Temperature Resolution: 0.1°C
- Display: Digital LCD with backlight
- Sensor Type: K type thermocouple wire
- Probe Material: Stainless steel
- Response Time: ≤ 2 seconds
- Calibration: Factory calibrated, user calibration option
- Power Supply: Batteries (9V or AA)
- Battery Life: ≥ 100 hours continuous use
- Housing Material: Durable plastic, shock-resistant
- Data Hold Function: Yes
- Min/Max Temperature Recording: Yes
- Auto Power Off: Yes

•Optional Features:

- a. Data Logging: USB or Bluetooth connectivity for data transfer
- b. Waterproof: IP65 rated
- c. Dual Channel: Capable of reading two K type thermocouples simultaneously
- d. Carrying Case: Included for storage and portability



Designed & Manufactured by:

Kalpna Scientific Pvt.Ltd.

Konnagar, West Bengal-712235, India

Tel. 7679774297 website: www.kalpanascientific.com

Email id : kalpanascientifickolkata@gmail.com

Benchtop Autoclave (Small Size)

KS/MIS/BTAC

- capacity: 10 to 20 liters
 - chamber material: stainless steel
 - temperature range: ambient to 134°C
 - pressure range: 0 to 2.5 bar
 - sterilization cycles: pre-programmed and customizable cycles
 - control system: digital PID controller with LCD display
 - timer: up to 99 minutes
 - safety features: over-pressure protection, over-temperature protection, automatic shut-off
 - door type: manual or semi-automatic with safety interlock
 - water source: integrated water tank or direct connection to distilled water supply
 - drying function: optional, with vacuum drying capability
 - power supply: 220-240V, 50/60Hz
 - dimensions: compact design suitable for benchtop use
- accessories: trays, basket, and sterilization pouches included



Designed & Manufactured by:

Kalpana Scientific Pvt.Ltd.

Konnagar, West Bengal-712235, India

Tel. 7679774297 website: www.kalpanascientific.com

Email id : kalpanascientifickolkata@gmail.com

